



BULL8M



CONTROL PANELS:

BULL8M ————| CP.BULL8-OM

BULL8M.S ————| CP.BULL8-OM



AUTOMATIONS FOR SLIDING GATES RESIDENTIAL USE

control with built-in encoder and receiver
personalised release key
up to 800 kg

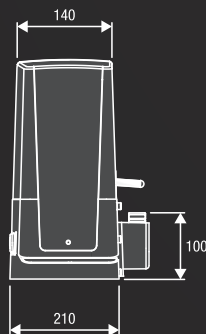
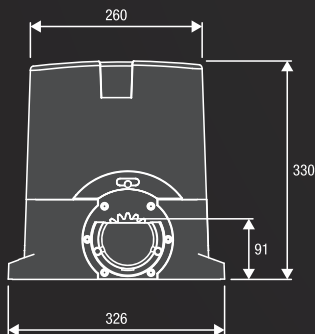


230 Vac

- Electromechanical 230 Vac geared motor with built-in control unit and encoder
- The encoder device ensures crush prevention and precision in the gate moving phases
- Full metal release system
- Version with magnetic limit switches available (BULL8M.S)

BULL.P3

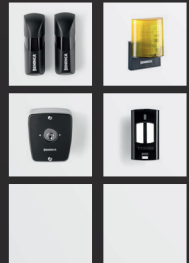
Raised foundation plate included.
Floor fixing distance 260 x 117, no. 4 Ø 11,
motor fixing distance 300 x 75 no. 4



■ COMPLETE KITS

KBULL8M 9592097

- 1 **BULL8M** 230 Vac Operator with control unit and built-in receiver
- 1 **PUPILLA.F** Pair of photocells
- 1 **LAMPI.LED** 230 Vac Led flashing light with built-in aerial
- 1 **TOKEY** Metal key selector
- 1 **TO.GO2WV** 433.92 MHz Transmitter





RI.M4F
9272010

M4 rack 30x12x1000mm slotted and galvanized. Supplied with M6 metric screws and threaded spacers.

Packaging: 4 pcs



RI.M4Z
9272030

M4 galvanized rack (22x22x2000 mm).

Packaging: 2 pcs



RI.M4P
9272020

M4 Nylon rack with steel core, 28x40x1000 mm. Slotted, supplied with self-drilling screws.

Packaging: 10 pcs



SB.BULL8.F
9747025

Externally fitted anti-intrusion cable unlock device (L=4.5m).



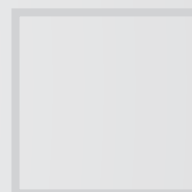
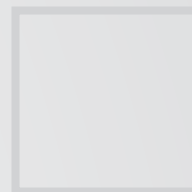
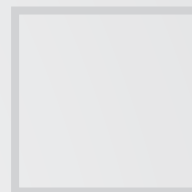
ID.TA
9846019

Warning board.



ESA BASIC
9176108

System that reduces the electrical energy consumption.



MADE IN ITALY

AUTOMATISMI BENINCA SpA • via del Capitello, 45 • 36066 Sandrigo (VI) ITALY • T +39 0444 751030 • F +39 0444 759728 • sales@beninca.it

TECHNICAL DATA	BULL8M	BULL8M.S
Code	9591522	9591524
Power supply	230 Vac (50-60Hz)	230 Vac (50-60Hz)
Motor supply	230 Vac	230 Vac
Max absorbed current	2.6 A	2.6 A
Max Thrust	940 N	940 N
Opening speed	10.5 m/min	10.5 m/min
Operation cycle	30%	30%
Protection level	IP44	IP44
Magnetic limit switches	NO	YES
Operating temperature	-20°C /+50°C	-20°C /+50°C
Max gate weight	800 kg	800 kg
Driving gear for rack	M4 Z18	M4 Z18
Weight	11.4 kg	11.4 kg
Items no. per pallet	36	36
Kits no. per pallet	30	-